



BGN Industrial Tyres (PVT) LTD



COMPEER

HIGH PERFORMANCE DELIVERED

Best raw materials and advanced technologically developed compounds are used in the layers of **COMPEER** Solid Tire Construction. All the materials used in the compounds are **REACH** compliant and have been subjected to various tough laboratory, field and test machine testing procedures.

The superior heat resistance, flexibility and deflection of the compounds have improved the performance of the **COMPEER** tires phenomenally.

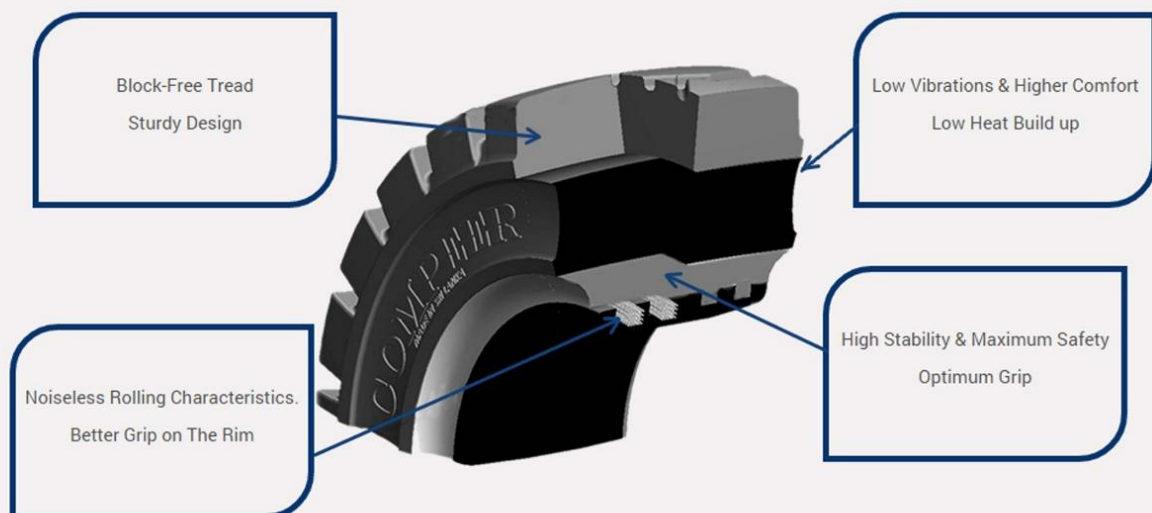
All products under "**BGN**" logo conform to international standards and within the parameters of ETRTO specifications.



The wide profile foot print of the **COMPEER** gives optimum traction and safety consistently. This product is available in all popular sizes and in **Non Marking** compound and with and without the clip lock design.

COMPEER tires could meet every single application requirement of the customers on all terrains and surfaces. This is made possible through the usage of high quality natural rubber, other ingredients, superior compounding technology and excellent design features.

COMPEER is available in Anti Static and Eclectically Conductive designs.




COMPEER TECHNICAL SPECIFICATION

SIZE	RIM WIDTH	TREAD PATTERN	LOAD CAPACITY TO ETRTO#		NOMINAL DIMENSIONS	
			LOAD WHEELS	STEER WHEELS		
			Up to 16kph(kg)	Up to 25kph(kg)	OVERALL WIDTH(mm)	OVERALL DIA.(mm)
5 00-8*	3.00	W	1415	1090	120	457
18×7-8*	4.33	W	2145	1650	150	455
6 00-9*	4.00	W	1885	1450	133	536
6 50-10*	5.00	W	2340	1800	158	571
23×9-10*	6.50	W	3160	2430	201	586
7 00-12*	5.00	W	2920	2240	168	656
23×10-12*	8.00	W	3770	2900	232	588
28×9-15*	7.00	W	3445	2650	212	693
3 00-15*	8.00	W	5850	4500	242	818
10.00-20*	7.00/7.50/8.00	W	6000	5000	255	1025

*All sizes available in Standard and Clip.

#European Tire and Rim Technical Organization.

All Solid Tires manufactured by BGN Industrial Tyres (PVT) LTD are covered by a Limited Warranty on materials used, workmanship and any other manufacturing defect, subject to the usage of the products under right conditions and applications.

 Industrial Zone ,Kindelpitiya, Millewa,Horana,Sri Lanka.

 marketing@bgntires.com

info@bgntires.com

 www.bgnindustrialtires.com

 +94 112 830241

 +94 715413043