



# BGN Industrial Tyres (PVT) LTD



## ECOMASTER

HIGH PERFORMANCE DELIVERED

Our Research and Development Team has developed new formulae to enhance comfort and less heat buildup in the centre compound of the **ECOMASTER** tire at a better cost which is passed to the customers by way of more competitive pricing.

Our uncompromising testing practices make us confident about the quality of the **ECOMASTER** tires we have developed. We can be sure that they perform exactly the way they should, without surprises.

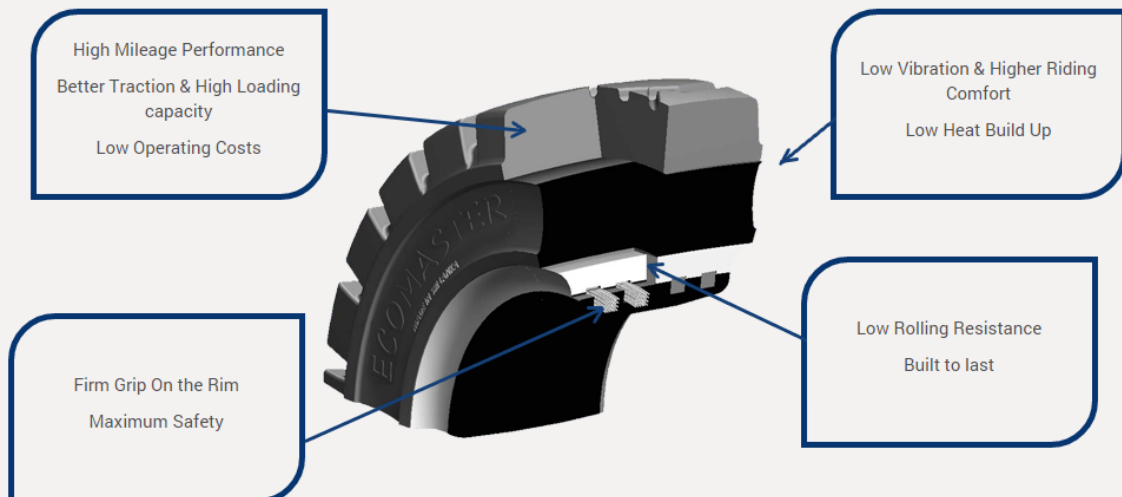
The wide and block-free tread design ensures maximum traction and lesser rolling resistance.



**ECOMASTER** tire is developed with innovative technology. The higher quality of the compounds and the functional design used in this product guarantees optimum satisfaction and economical benefits to the customers.

This innovative tire incorporates the latest technology with extra special inner base layer to ensure secure tire fitment and maximum safety.

The tread pattern used in the **ECOMASTER** tire offers a larger foot print and more stability while running.



## ECOMASTER TECHNICAL SPECIFICATION

| SIZE      | RIM WIDTH      | TREAD PATTERN | LOAD CAPACITY TO ETRTO# |                 | NOMINAL DIMENSIONS |                  |
|-----------|----------------|---------------|-------------------------|-----------------|--------------------|------------------|
|           |                |               | LOAD WHEELS             | STEER WHEELS    |                    |                  |
|           |                |               | Up to 16kph(kg)         | Up to 25kph(kg) | OVERALL WIDTH(mm)  | OVERALL DIA.(mm) |
| 5 00-8*   | 3.00           | W             | 1415                    | 1090            | 120                | 457              |
| 18×7-8*   | 4.33           | W             | 2145                    | 1650            | 150                | 455              |
| 6 00-9*   | 4.00           | W             | 1885                    | 1450            | 133                | 536              |
| 6 50-10*  | 5.00           | W             | 2340                    | 1800            | 158                | 571              |
| 23×9-10*  | 6.50           | W             | 3160                    | 2430            | 201                | 586              |
| 7 00-12*  | 5.00           | W             | 2920                    | 2240            | 168                | 656              |
| 23×10-12* | 8.00           | W             | 3770                    | 2900            | 232                | 588              |
| 28×9-15*  | 7.00           | W             | 3445                    | 2650            | 212                | 693              |
| 3 00-15*  | 8.00           | W             | 5850                    | 4500            | 242                | 818              |
| 10.00-20* | 7.00/7.50/8.00 | W             | 6000                    | 5000            | 255                | 1025             |

\*All sizes available in Standard and Clip.

#European Tire and Rim Technical Organization.

All Solid Tyres manufactured by BGN Industrial Tyres (PVT) LTD are covered by a Limited Warranty on materials used, workmanship and any other manufacturing defect, subject to the usage of the products under right conditions and applications.

🏠 Industrial Zone ,Kindelpitiya, Millewa,Horana,Sri Lanka.

✉ marketing@bgntires.com  
info@bgntires.com

🌐 www.bgnindustrialtires.com

☎ +94 112 830241

📱 +94 715413043